



## Budget Steel Wheelchair - Spare Parts Catalogue

Released 2007

Available with 24" self propel and 12½" transit wheels, the budget steel wheelchair is the entry model in to the wheelchair market without compromising on quality.

It has some feature normally found on more upmarket models such as solid tyres and height adjustable footplates.

Note: frame assemblies not shown on parts diagram

### CS1142SP Wheelchair Parts List

Qty	Part Number	Description
1	Z11010-18	Centre pin assembly
1	Z11020-18	CS1142SP RHS frame assembly (LHS cross brace attached)
1	Z11030-18	CS1142SP LHS frame assembly (RHS cross brace attached)
1	Z11210-18	18" seat canvas assembly
1	Z11260-18	18" back canvas assembly
2	Z11400-18	Front castor assembly
2	Z11450-18	Rear wheel bolt and nut
2	Z11460-18	24" self propel rear wheel with solid tyre
2	Z11592-18	Arm pad
2	Z11593-18	Side panel
1	Z11600-18	RHS leg rest
1	Z11650-18	LHS leg rest
1	Z11700-18	RHS brake unit
1	Z11750-18	LHS brake unit

### CS1142T Wheelchair Parts List

Qty	Part Number	Description
1	Z11010-18	Centre pin assembly
1	Z11025-18	CS1142T RHS frame assembly (LHS cross brace attached)
1	Z11035-18	CS1142T LHS frame assembly (RHS cross brace attached)
1	Z11210-18	18" seat canvas assembly
1	Z11260-18	18" back canvas assembly
2	Z11400-18	Front castor assembly
2	Z11450-18	Rear wheel bolt and nut
2	Z11480-18	12½" transit rear wheel with solid tyre
2	Z11592-18	Arm pad
2	Z11593-18	Side panel
1	Z11600-18	RHS leg rest
1	Z11650-18	LHS leg rest
1	Z11700-18	RHS brake unit
1	Z11750-18	LHS brake unit

**drive**

Medical & Technical  
 Ainsley's Industrial Estate, Elland HX5 9JP  
 T: +44 (0) 1422 314488  
 E: enquiries@drivemedical.co.uk  
 W: www.drivemedical.co.uk/technical

TITLE:

BUDGET WHEELCHAIRS  
 CS1142SP / CS1142T  
 PARTS CATALOGUE

DATE: 30/05/08

SHEET No: 1 of 3

DRAWN: PMK

CHECKED:

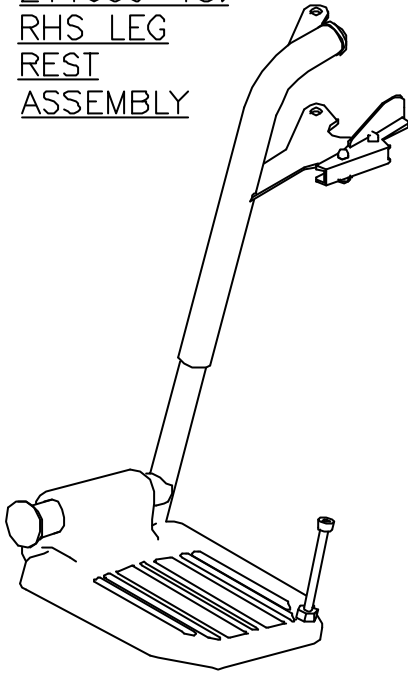
REVISION No: —

SCALE: NTS

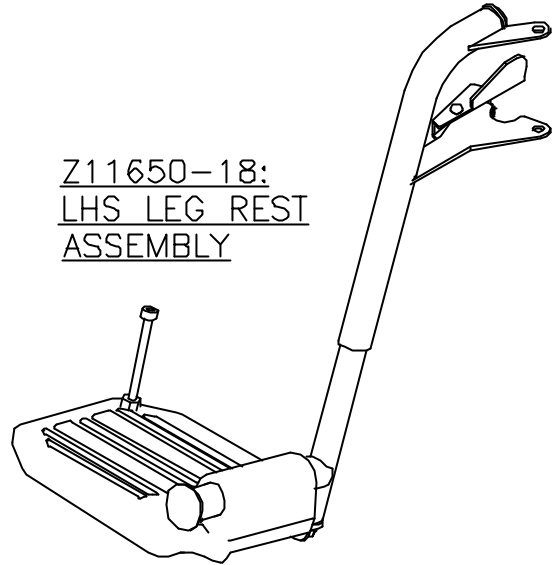
DWG No: Z11000

NOTE:  
ALL DIAGRAMS ARE FOR ILLUSTRATION ONLY  
DIAGRAMS SHOWN MAY NOT BE AN EXACT  
REPRESENTATION OF THE PART SUPPLIED.

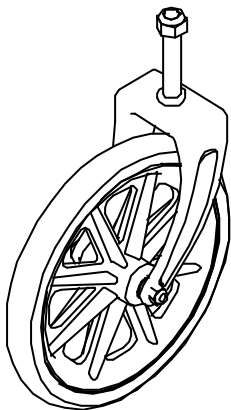
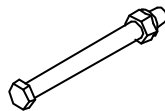
Z11600-18:  
RHS LEG  
REST  
ASSEMBLY



Z11650-18:  
LHS LEG REST  
ASSEMBLY

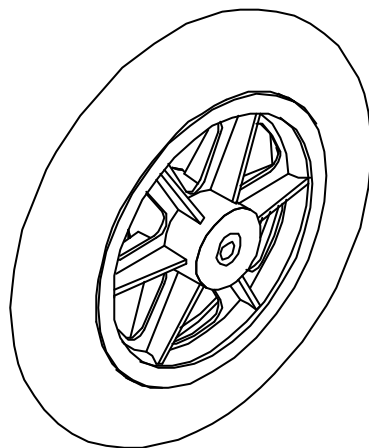


Z11450-18  
AXLE BOLT  
AND NUT FOR  
REAR WHEELS



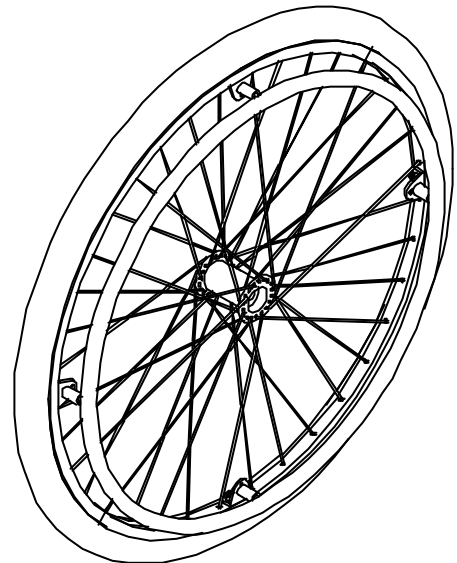
Z11400-18  
FRONT CASTOR  
ASSEMBLY

INCLUDES 8" WHEEL  
WITH TYRE, CASTOR  
FORK, NUT AND AXLE



Z11480-18  
12 1/2" TRANSIT REAR  
WHEEL ASSEMBLY

INCLUDES WHEEL RIM AND  
SOLID TYRE



Z11460-18  
24" SELF PROPEL  
REAR WHEEL  
ASSEMBLY

INCLUDES WHEEL RIM,  
HANDRIM AND SOLID TYRE

**drive**

Medical & Technical  
Ainley's Industrial Estate, Elland HX5 9JP  
T: +44 (0) 1422 314488  
E: enquiries@drivemedical.co.uk  
W: www.drivemedical.co.uk/technical

TITLE:

BUDGET WHEELCHAIRS  
CS1142SP / CS1142T  
PARTS CATALOGUE

DATE: 30/05/08

SHEET No: 2 of 3

DRAWN: PMK

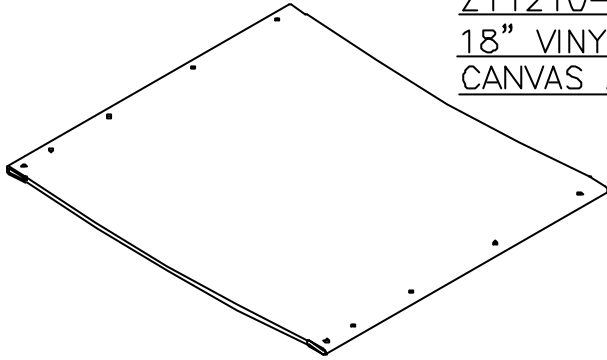
CHECKED:

REVISION No: -

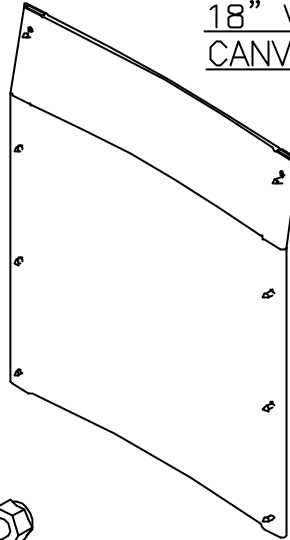
SCALE: NTS

DWG No: Z11000

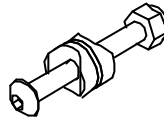
Z11210-18:  
18" VINYL SEAT  
CANVAS ASSEMBLY



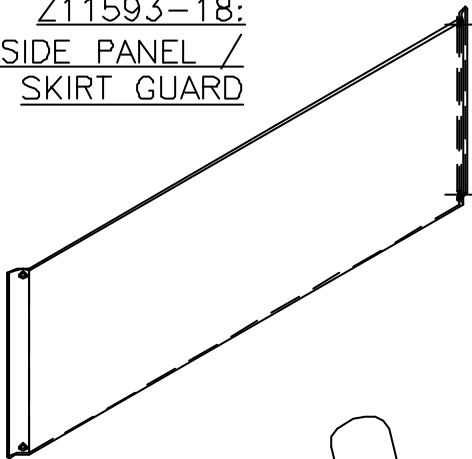
Z11210-18:  
18" VINYL SEAT  
CANVAS ASSEMBLY



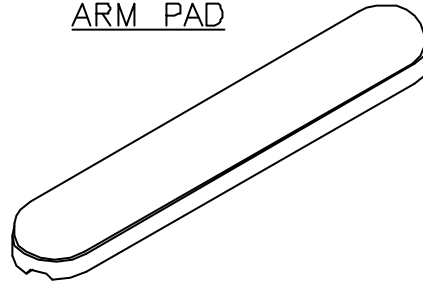
Z11010-18:  
FRAME CENTRE  
PIN ASSEMBLY



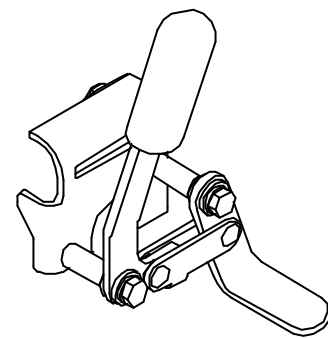
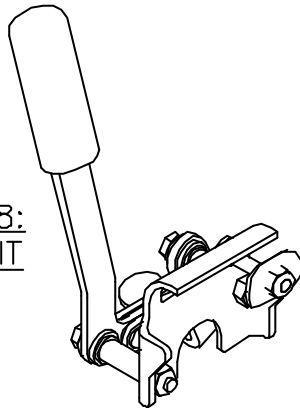
Z11593-18:  
SIDE PANEL /  
SKIRT GUARD



Z11592-18:  
ARM PAD



Z11700-18:  
RHS BRAKE UNIT



Z11750-18  
LHS BRAKE UNIT

**NOTE:**  
ALL DIAGRAMS ARE FOR ILLUSTRATION ONLY  
DIAGRAMS SHOWN MAY NOT BE AN EXACT  
REPRESENTATION OF THE PART SUPPLIED.

**drive**

Technical Services & Accessories  
Ainley's Industrial Estate, Elland HX5 9UP  
T: +44 (0) 1422 314488  
E: enquiries@drivemedical.co.uk  
W: www.drivemedical.co.uk/technical

TITLE:

BUDGET WHEELCHAIRS  
CS1142SP / CS1142T  
PARTS CATALOGUE

DATE: 30/05/08

SHEET No: 3 of 3

DRAWN: PMK

CHECKED:

REVISION No: -

SCALE: NTS

DWG No: Z11000