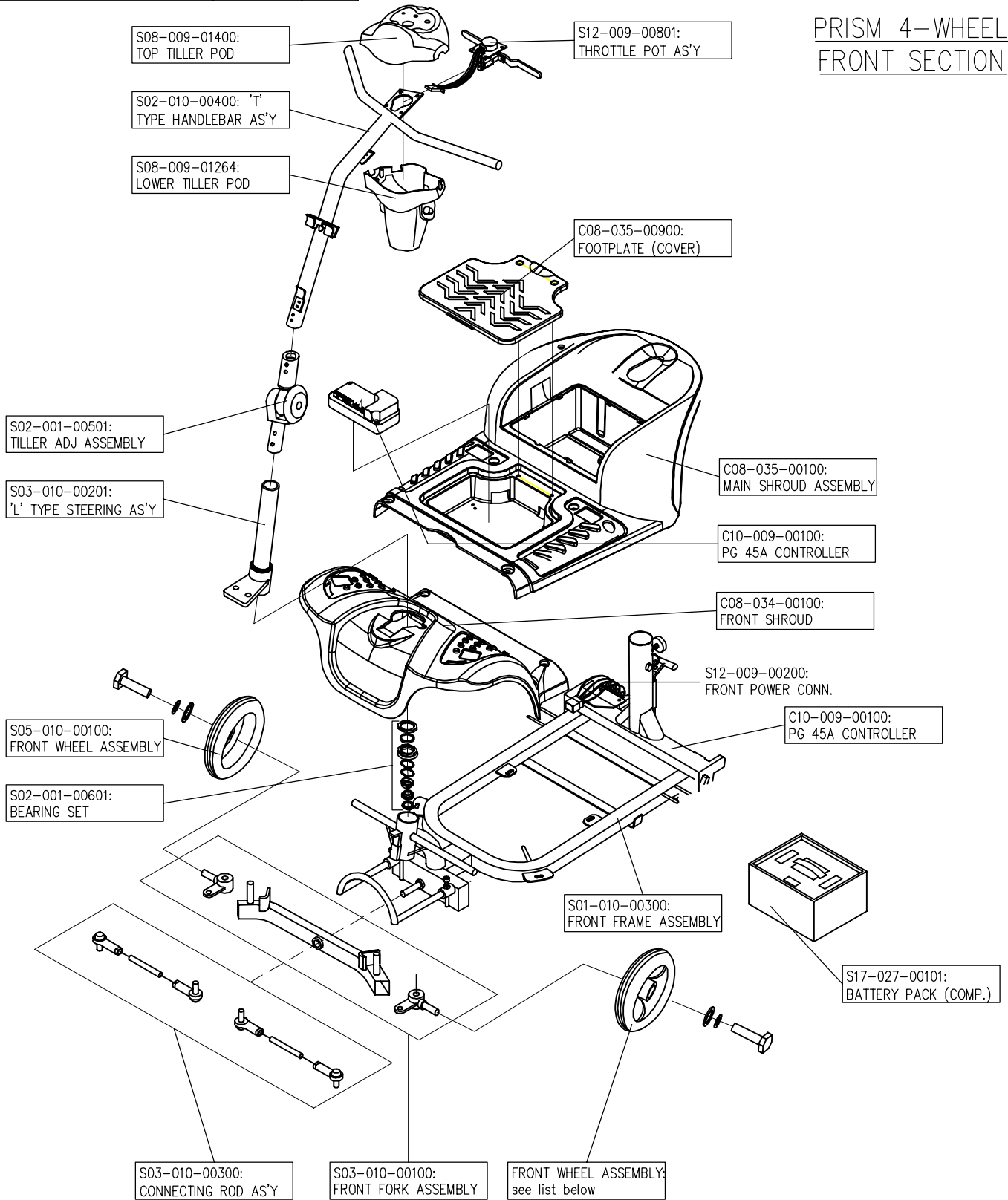


REV No.	DETAILS	DATE	DRAWN
A	GENERAL UPDATE	10-09-10	PMK

PRISM 4-WHEEL FRONT SECTION



SEPERATE COMPONENTS AVAILABLE (FROM TILLER POD):

C11-001-00700: SPEED DIAL (COMPLETE)
 C26-009-00200: SPEED DIAL KNOB
 C11-023-00300: BATTERY GAUGE (DIAL)
 C11-045-00100: BATTERY GAUGE (L.E.D.)
 C16-001-00200: HORN SWITCH

C12-003-01300: LED LAMP
 C18-009-00500: IGNITION SWITCH (WITH KEY)
 C12-001-10202: CHARGER SOCKET

FRONT WHEELS AVAILABLE:

S05-010-00100: ALLOY
 C05-034-00700: PLASTIC

CHARGER:

C12-034-00200: 24V 1.8A/2A CHARGER



Ainley's Industrial Estate, Elland HX5 9JP
 T: +44 (0) 1422 314488
 E: enquiries@medicaretechnology.com
 W: www.medicaretechnology.com/technical

TITLE:



PRISM SCOOTERS
 PARTS CATALOGUE

DATE: 06/03/07

SHEET No: 1 of 4

DRAWN: PMK

CHECKED:

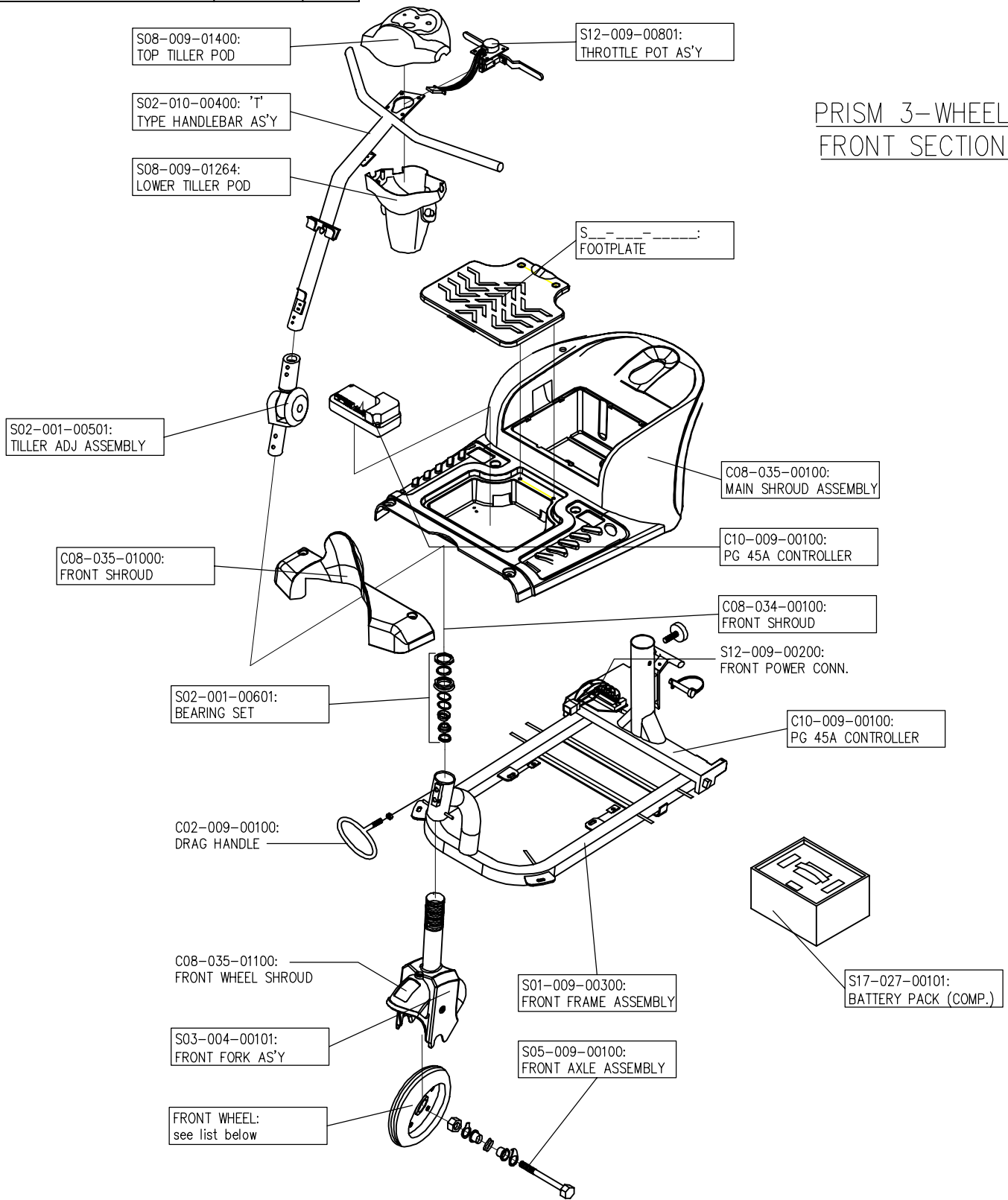
REVISION No: A

SCALE: NTS

DWG No: Z40947

REV No.	DETAILS	DATE	DRAWN
A	GENERAL UPDATE	10-09-10	PMK

PRISM 3-WHEEL FRONT SECTION



SEPERATE COMPONENTS AVAILABLE (FROM TILLER POD):

- C11-001-00700: SPEED DIAL (COMPLETE)
- C26-009-00200: SPEED DIAL KNOB
- C11-023-00300: BATTERY GAUGE (DIAL)
- C11-045-00100: BATTERY GAUGE (L.E.D.)
- C16-001-00200: HORN SWITCH

- C12-003-01300: LED LAMP
- C18-009-00500: IGNITION SWITCH (WITH KEY)
- C12-001-10202: CHARGER SOCKET

FRONT WHEELS AVAILABLE:

- S05-009-00300: ALLOY
- C05-027-00100: PLASTIC



Ainley's Industrial Estate, Elland HX5 9JP
 T: +44 (0) 1422 314488
 E: enquires@medicaretechnology.com
 W: www.medicaretechnology.com/technical

TITLE:


 PRISM SCOOTERS
 PARTS CATALOGUE

DATE: 06/03/07

SHEET No: 2 OF 4

DRAWN: PMK

CHECKED:

REVISION No: A

SCALE: NTS

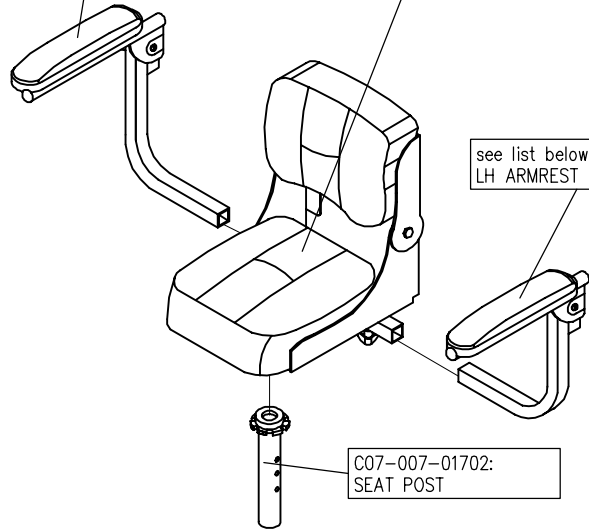
DWG No: Z40947

REV No.	DETAILS	DATE	DRAWN
A	GENERAL UPDATE	10-09-10	PMK

see list below:
RH ARMREST

see list below:
SEAT ASSEMBLY

see list below:
LH ARMREST



C08-035-00700:
REAR FRAME HANGER

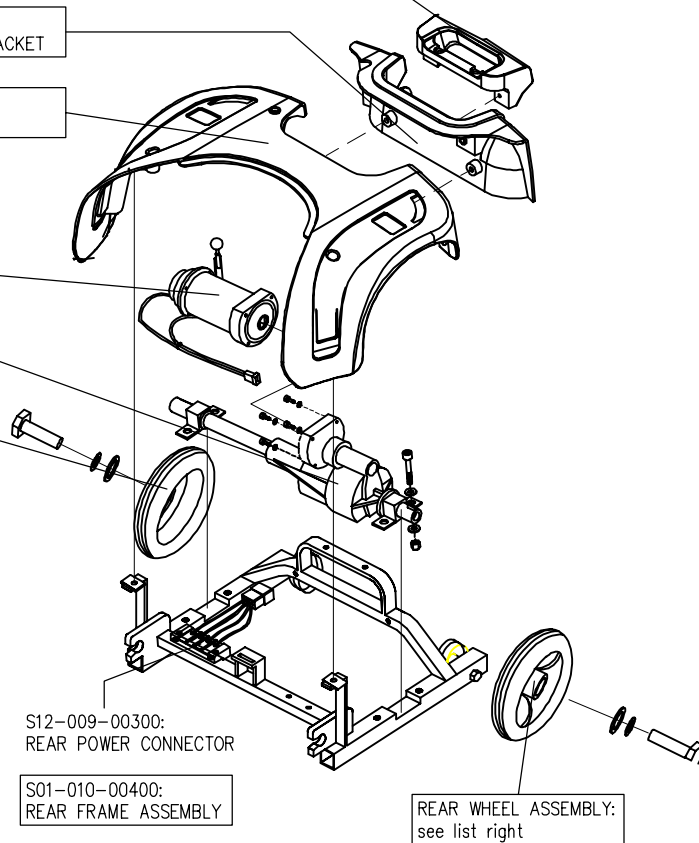
S08-035-00800:
REAR FRAME BRACKET

C08-035-00400:
REAR SHROUD

MOTOR / BRAKE:
SEE LIST ON RIGHT

TRANSAXLE:
SEE LIST ON RIGHT

C06-009-00100:
REAR WHEEL ASSEMBLY



S12-009-00300:
REAR POWER CONNECTOR

S01-010-00400:
REAR FRAME ASSEMBLY

REAR WHEEL ASSEMBLY:
see list right

REAR WHEELS AVAILABLE:
C06-009-00100: ALLOY
C06-034-00500: PLASTIC

SEATS AVAILABLE:
C07-035-00100: WITH FITTED COVERS
C07-034-00300: WITH REMOVABLE COVERS

RIGHT HAND ARMRESTS AVAILABLE:
C07-007-00901: WITH UPHOLSTERED ARM PAD
C07-027-00700: WITH MOULDED PU ARM PAD

LEFT HAND ARMRESTS AVAILABLE:
C07-007-00601: WITH UPHOLSTERED ARM PAD
C07-027-00600: WITH MOULDED PU ARM PAD

SEPERATE MOTOR / TRANSAXLE
COMPONENTS AVAILABLE:

- C09-009-00100: TRANSAXLE
- C09-009-00300: MOTOR
- C09-009-00400: ELECTROMAGNETIC BRAKE
- C09-034-00100: FREEWHEEL LEVER
- C26-009-00700: KNOB FOR LEVER
- 9357005005020: KEY WAY

PRISM 3-WHEEL
& 4-WHEEL REAR
SECTION & SEAT



Ainley's Industrial Estate, Elland HX5 9JP
T: +44 (0) 1422 314488
E: enquiries@medicartechology.com
W: www.medicartechology.com/technical

TITLE:



PRISM SCOOTERS
PARTS CATALOGUE

DATE: 06/03/07

SHEET No: 3 OF 4

DRAWN: PMK

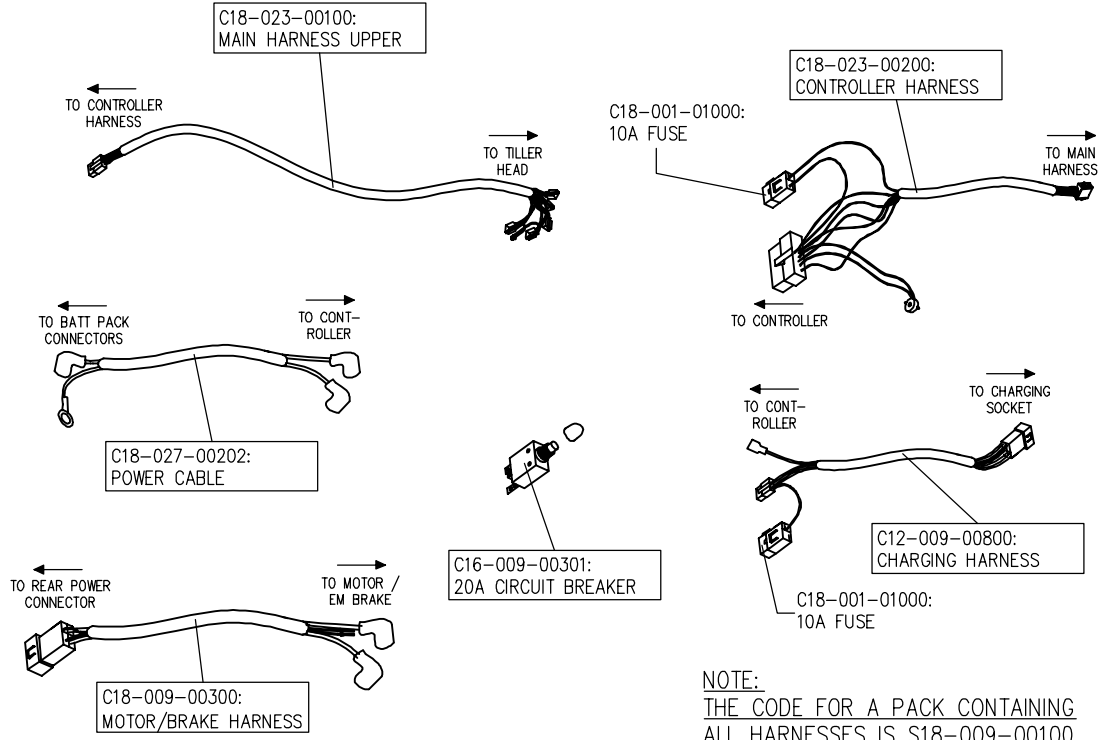
CHECKED:

REVISION No: A

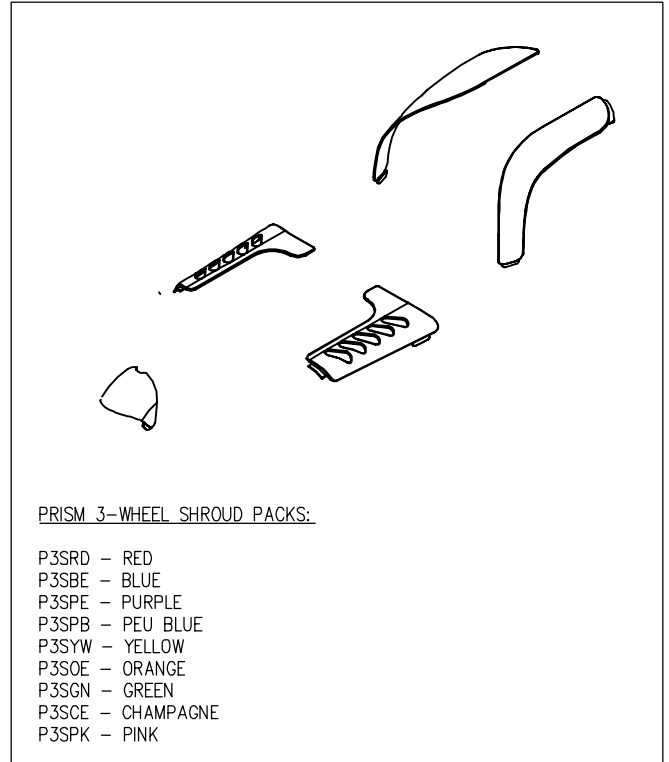
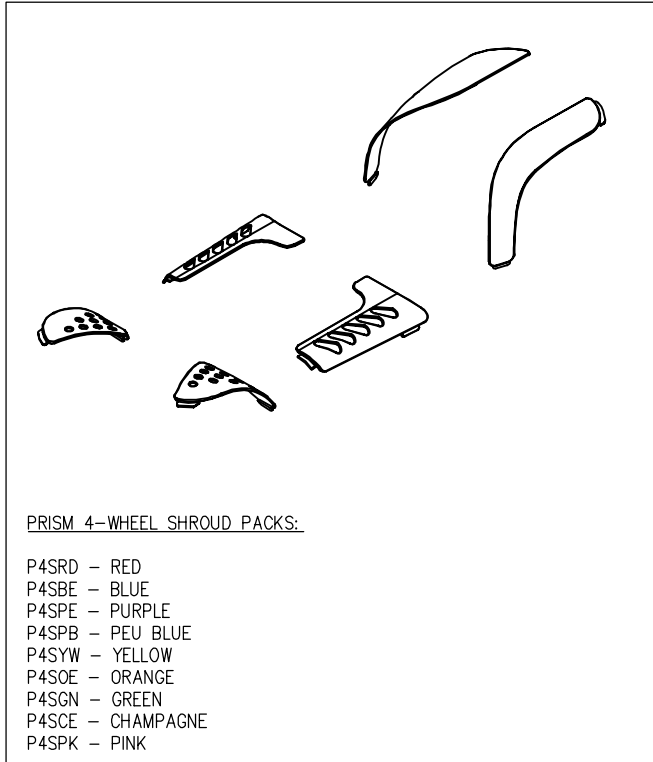
SCALE: NTS

DWG No: Z40947

REV No.	DETAILS	DATE	DRAWN
A	GENERAL UPDATE	10-09-10	PMK



NOTE:
THE CODE FOR A PACK CONTAINING
ALL HARNESSES IS S18-009-00100



PRISM 3-WHEEL &
4-WHEEL WIRE HARNESSES
AND OUTER SHROUDS



Ainley's Industrial Estate, Elland HX5 9JP
T: +44 (0) 1422 314488
E: enquiries@medicaretechnology.com
W: www.medicaretechnology.com/technical

TITLE:



PRISM SCOOTERS
PARTS CATALOGUE

DATE: 06/03/07

SHEET No: 4 OF 4

DRAWN: PMK

CHECKED:

REVISION No: A

SCALE: NTS

DWG No: Z40947