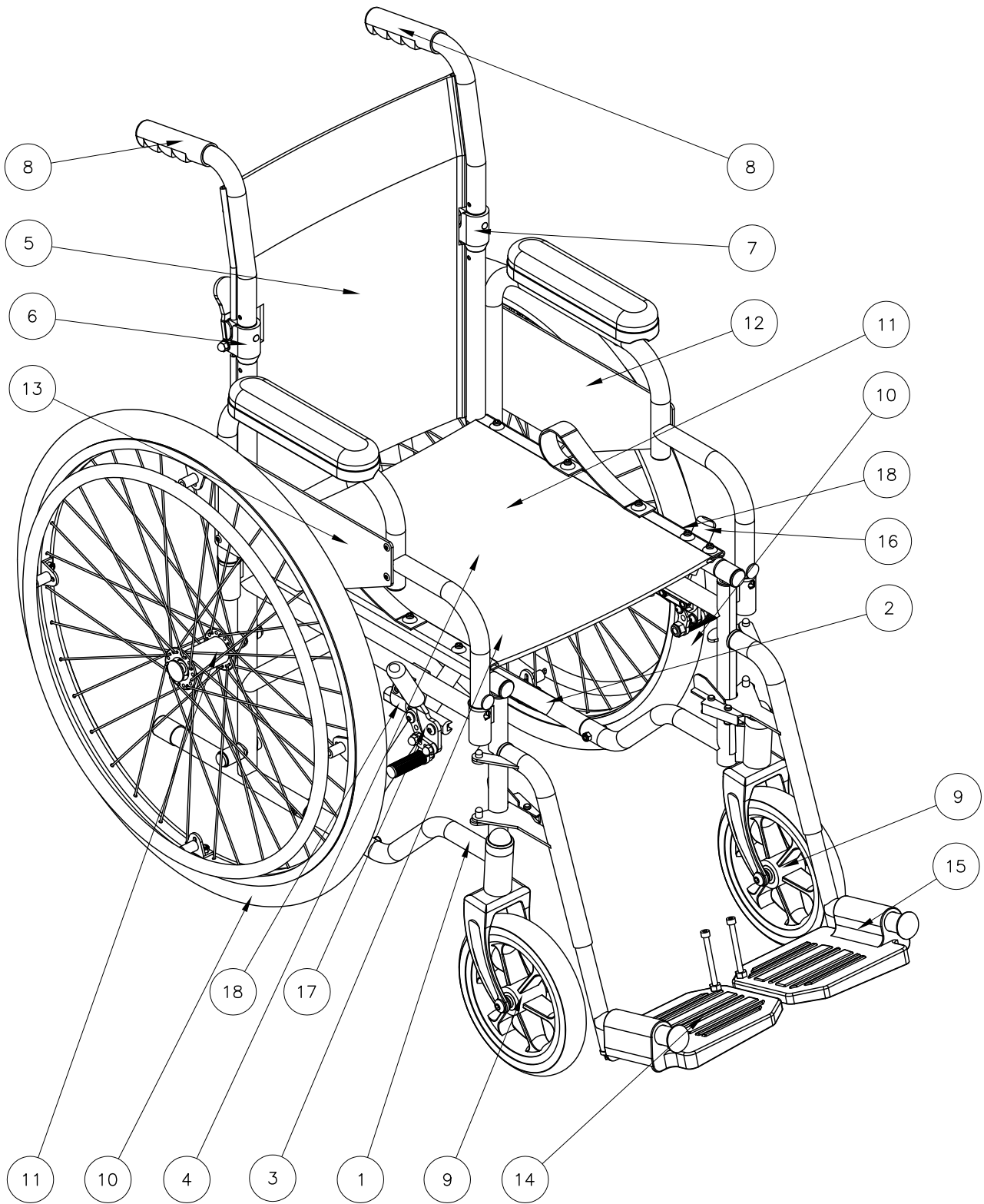


REV No.	DETAILS	DATE	DRAWN
A	VARIOUS UPDATES	17/09/03	PMK



TITLE:

ENIGMA SSP16
STEEL WHEELCHAIR
PARTS MANUAL

DATE: 18/09/03

SHEET No: 1 of 1

DRAWN: PMK

CHECKED:

REVISION No: —

SCALE: NTS

DWG No: Z10001

REV No.	DETAILS	DATE	DRAWN
A	VARIOUS UPDATES	17/09/03	PMK

18	2	Z10730	BRAKE CLAMP ASSEMBLY
17	1	Z10750	RHS BRAKE ASSEMBLY UNIT
16	1	Z10700	LHS BRAKE UNIT ASSEMBLY
15	1	Z10650	18" LEG REST ASSEMBLY (LEFT)
14	1	Z10600	18" LEG REST ASSEMBLY (RIGHT)
13	1	Z10575	ARM REST ASSEMBLY (RIGHT)
12	1	Z10525	ARM REST ASSEMBLY (LEFT)
11	2	Z10450	QUICK RELEASE PIN ASSEMBLY
10	2	Z10460	24" SELF PROPEL WHEEL ASSEMBLY
9	2	Z10400	FRONT CASTOR ASSEMBLY
8	2	Z10300	PUSH HANDLE ASSEMBLY
7	1	Z10360	HALF FOLD BACK MECHANISM
6	1	Z10350	HALF FOLD BACK MECHANISM
5	1	Z10250	16" BACK CANVAS ASSEMBLY
4	1	Z10200	16" SEAT CANVAS ASSEMBLY
3	1	Z10010	CENTRE PIN ASSEMBLY
2	1	Z10050	16" LHS FRAME ASSEMBLY
1	1	Z10030	16" RHS FRAME ASSEMBLY
Item	Qty	Name	Description
Parts List			



TITLE:
ENIGMA SSP16
STEEL WHEELCHAIR
PARTS MANUAL

DATE: 17/09/03

SHEET No: 2 OF 2

DRAWN: PMK

CHECKED:

REVISION No: A

SCALE: NTS

DWG No: Z10001