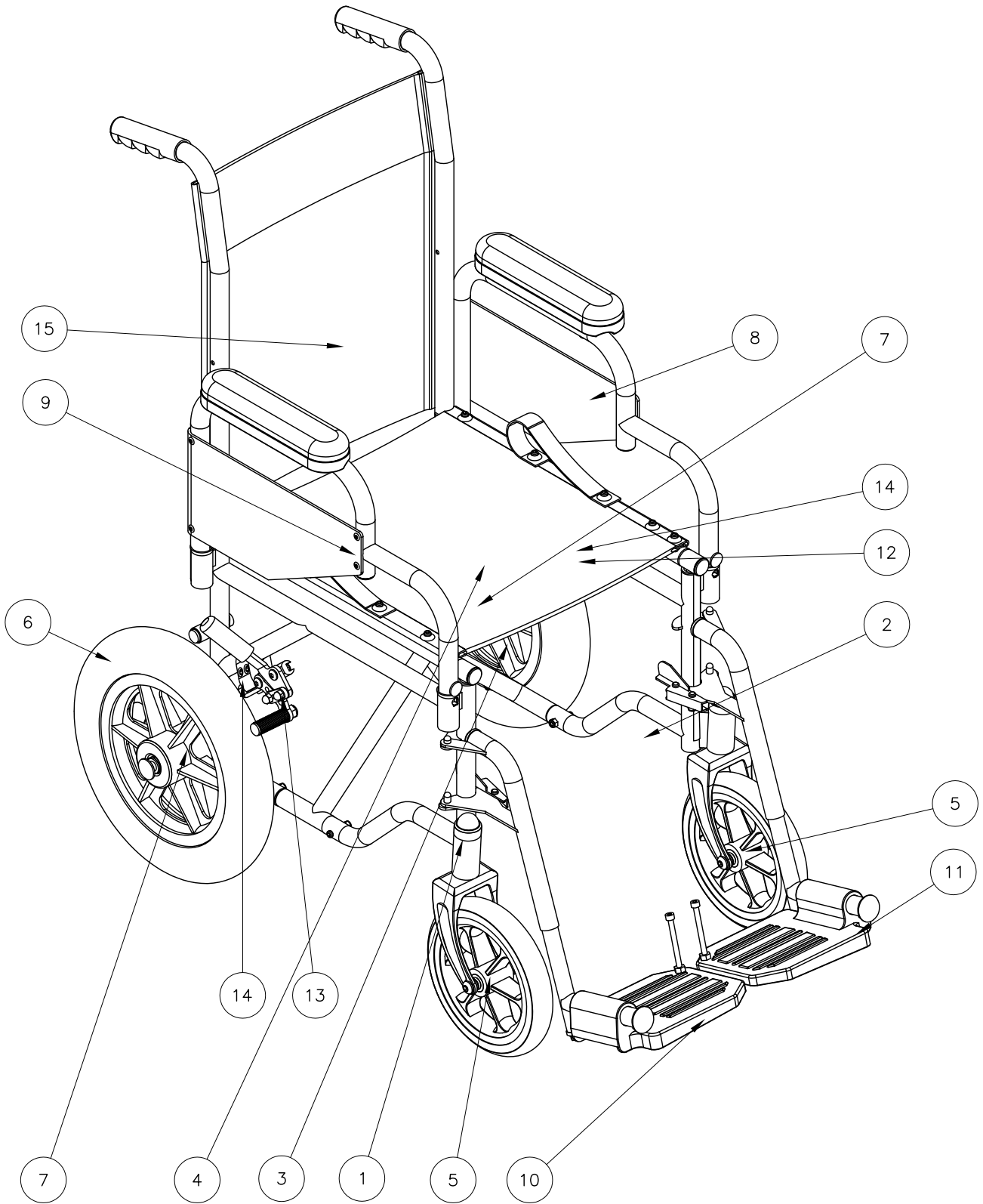


REV No.	DETAILS	DATE	DRAWN
A	VARIOUS UPDATES	17/09/03	PMK



TITLE:
 ENIGMA STS16FB
 STEEL WHEELCHAIR
 PARTS MANUAL

DATE: 18/09/03
 DRAWN: PMK
 SCALE: NTS

SHEET No: 1 of 1
 REVISION No: —
 DWG No: Z10004

REV No.	DETAILS	DATE	DRAWN
A	VARIOUS UPDATES	17/09/03	PMK

6	2	Z10480	12-1/2" TRANSIT WHEEL ASSEMBLY
15	1	Z10270	16" FIXED BACK CANVAS ASSEMBLY
14	2	Z10730	BRAKE CLAMP ASSEMBLY
13	1	Z10750	RHS BRAKE ASSEMBLY UNIT
12	1	Z10700	LHS BRAKE UNIT ASSEMBLY
11	1	Z10650	18" LEG REST ASSEMBLY (LEFT)
10	1	Z10600	18" LEG REST ASSEMBLY (RIGHT)
9	1	Z10575	ARM REST ASSEMBLY (RIGHT)
8	1	Z10525	ARM REST ASSEMBLY (LEFT)
7	2	Z10450	QUICK RELEASE PIN ASSEMBLY
5	2	Z10400	FRONT CASTOR ASSEMBLY
4	1	Z10200	16" SEAT CANVAS ASSEMBLY
3	1	Z10010	CENTRE PIN ASSEMBLY
2	1	Z10150	STS16FB / SSP1816FB LHS FRAME ASSEMBLY
1	1	Z10030	STS16FB / SSP16FB RHS FRAME ASSEMBLY
Item	Qty	Name	Description
Parts List			



TITLE: ENIGMA STS16FB STEEL WHEELCHAIR PARTS MANUAL	DATE: 17/09/03		SHEET No: 2 OF 2
	DRAWN: PMK	CHECKED:	REVISION No: A
	SCALE: NTS		DWG No: Z10004