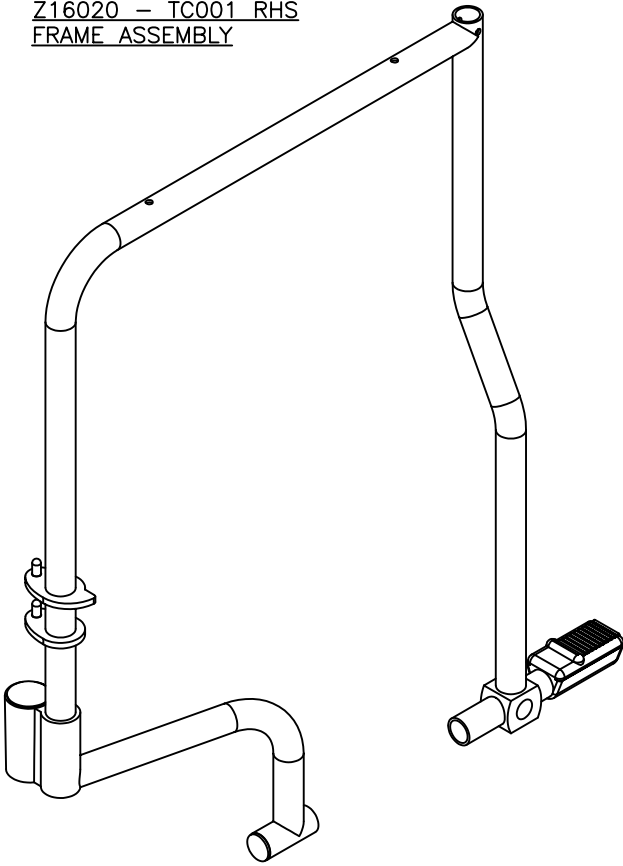
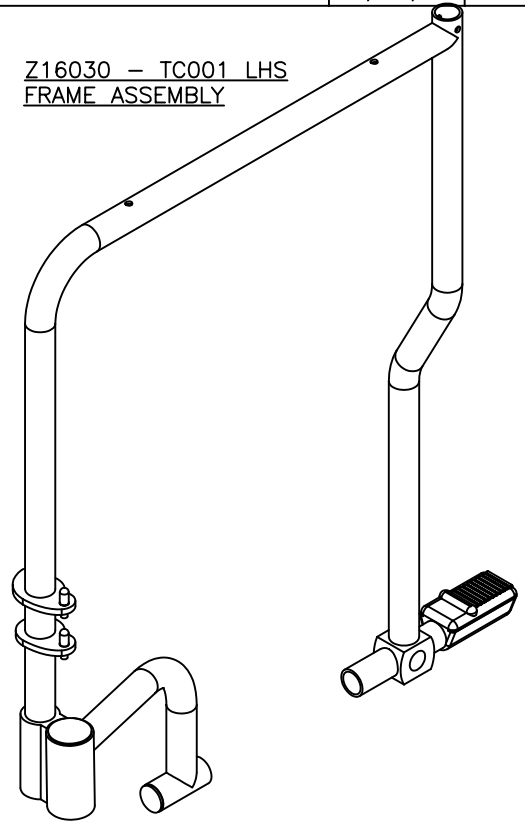


REV No.	DETAILS	DATE	DRAWN
A	REVISED TO INCLUDE LAWC001 PARTS TITLE ALTERED	26/05/04	PMK
B	QUICK RELEASE PIN CORRECTED LAWC002 PARTS AND BOM ADDED	03/11/05	PMK

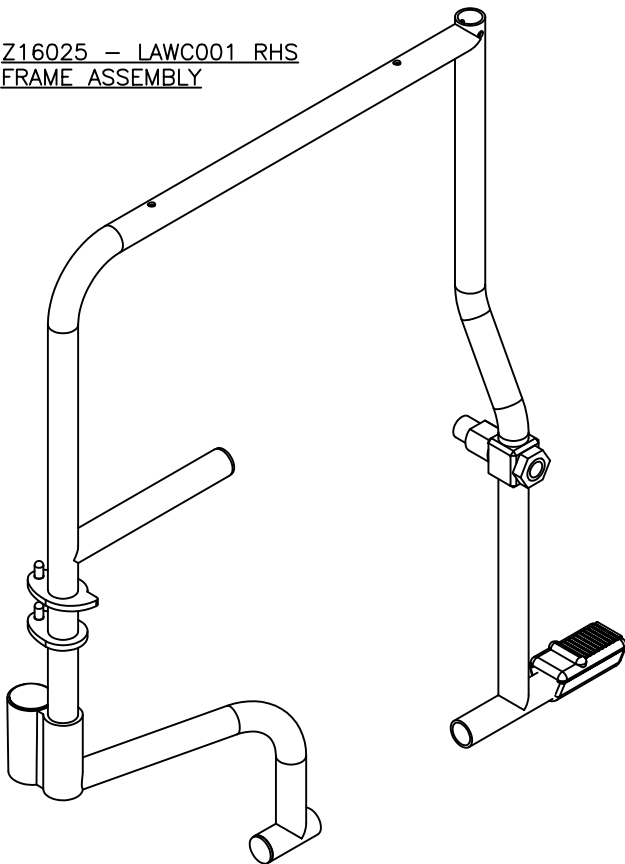
Z16020 – TC001 RHS
FRAME ASSEMBLY



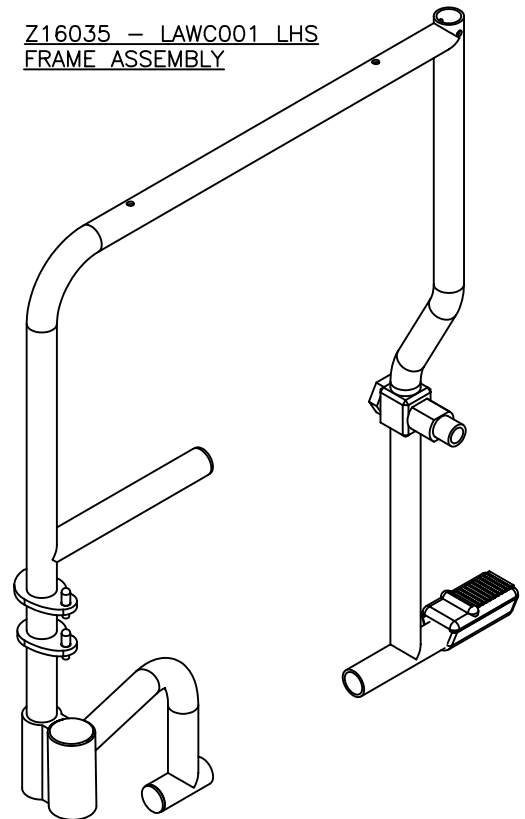
Z16030 – TC001 LHS
FRAME ASSEMBLY



Z16025 – LAWC001 RHS
FRAME ASSEMBLY



Z16035 – LAWC001 LHS
FRAME ASSEMBLY



TITLE:
TC001 / LAWC001 / LAWC002
RANGE PARTS CATALOG

DATE: 24/09/03

SHEET No: 1 OF 7

DRAWN: PMK

CHECKED:

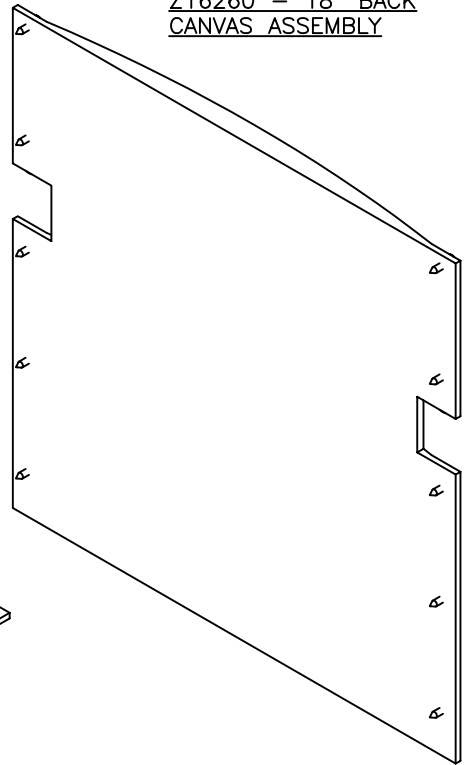
REVISION No: B

SCALE: NTS

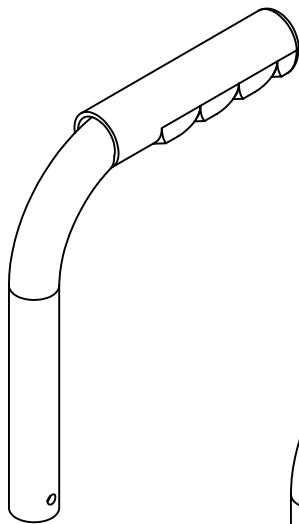
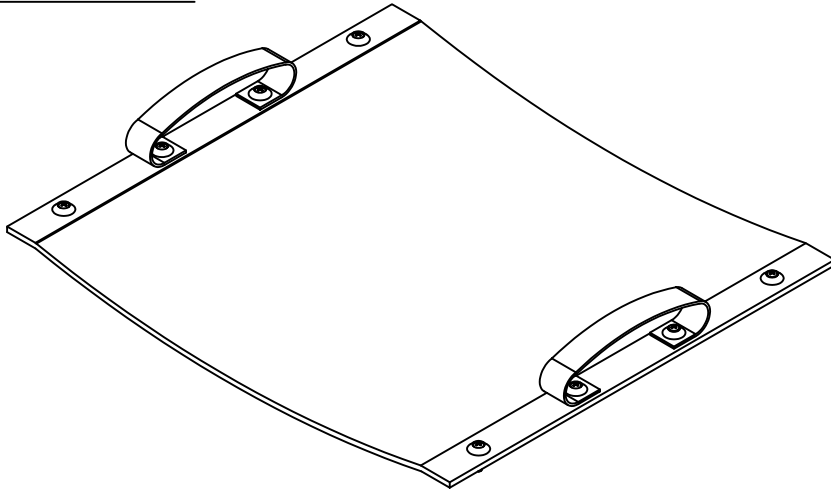
DWG No: Z16000

REV No.	DETAILS	DATE	DRAWN
A	REVISED TO INCLUDE LAW001 PARTS TITLE ALTERED	26/05/04	PMK
B	QUICK RELEASE PIN CORRECTED LAW002 PARTS AND BOM ADDED	03/11/05	PMK

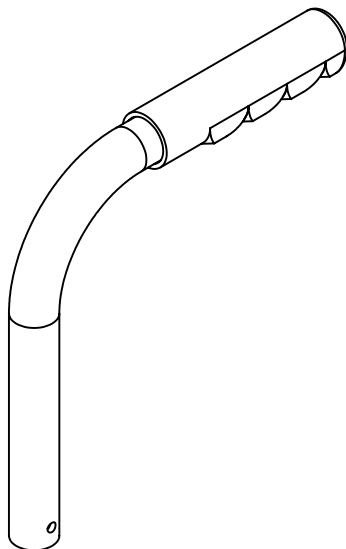
Z16260 - 18" BACK
CANVAS ASSEMBLY



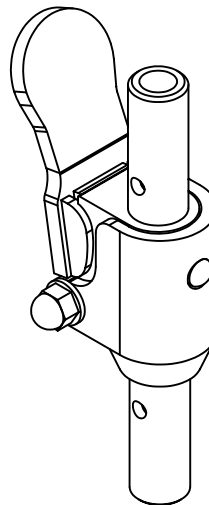
Z16210 - 18" SEAT
CANVAS ASSEMBLY



Z16325 - PUSH
HANDLE ASSEMBLY

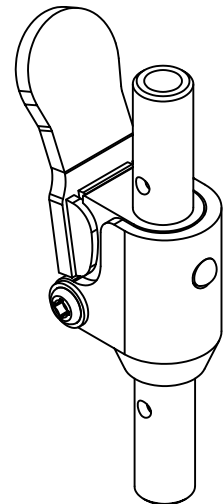


Z16330 -
EXTENDED PUSH
HANDLE ASSEMBLY



Z16350 - HALF FOLD
MECHANISM (LHS)
(above)

Z16360 - HALF FOLD
MECHANISM (RHS)
(below)



TITLE:
TC001 / LAW001 / LAW002
RANGE PARTS CATALOG

DATE: 24/09/03

SHEET No: 3 OF 7

DRAWN: PMK

CHECKED:

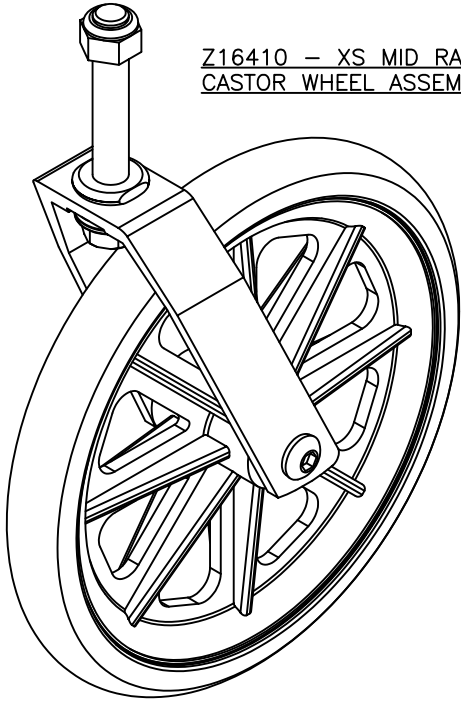
REVISION No: B

SCALE: NTS

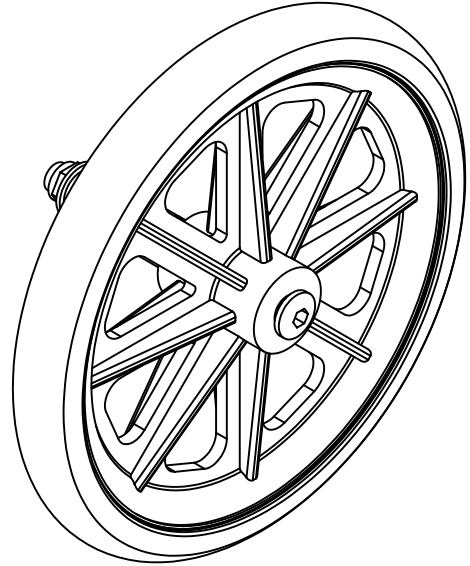
DWG No: Z16000

REV No.	DETAILS	DATE	DRAWN
A	REVISED TO INCLUDE LAW001 PARTS TITLE ALTERED	26/05/04	PMK
B	QUICK RELEASE PIN CORRECTED LAW002 PARTS AND BOM ADDED	03/11/05	PMK

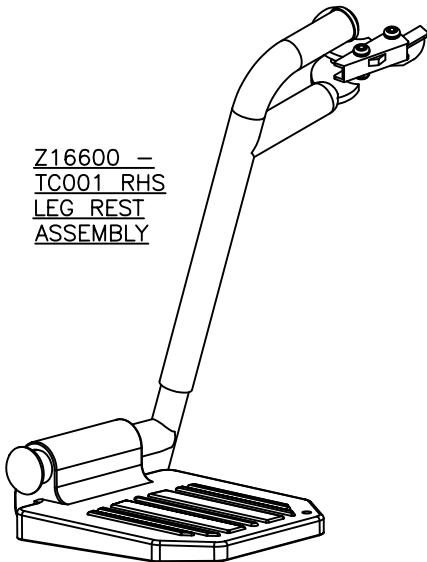
Z16410 – XS MID RANGE
CASTOR WHEEL ASSEMBLY



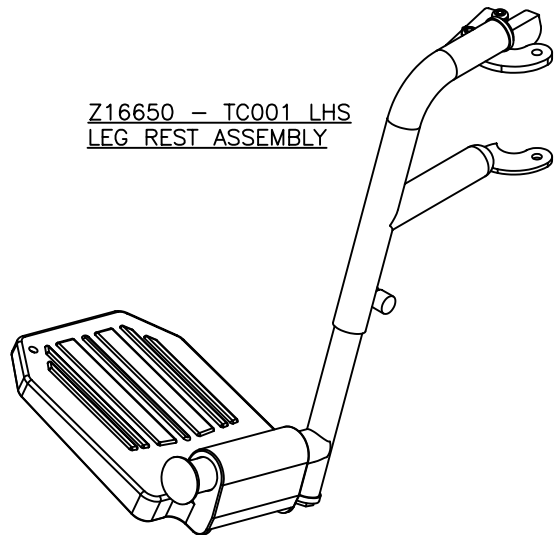
Z16480 – TC001 REAR
WHEEL ASSEMBLY



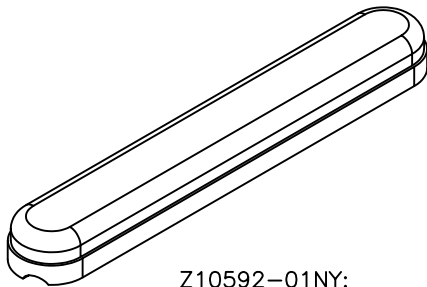
Z16600 –
TC001 RHS
LEG REST
ASSEMBLY



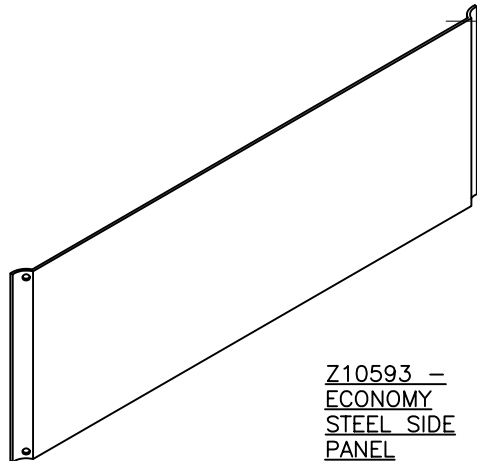
Z16650 – TC001 LHS
LEG REST ASSEMBLY



Z10592-01NY:
ECONOMY
ARM PAD



Z10593 –
ECONOMY
STEEL SIDE
PANEL

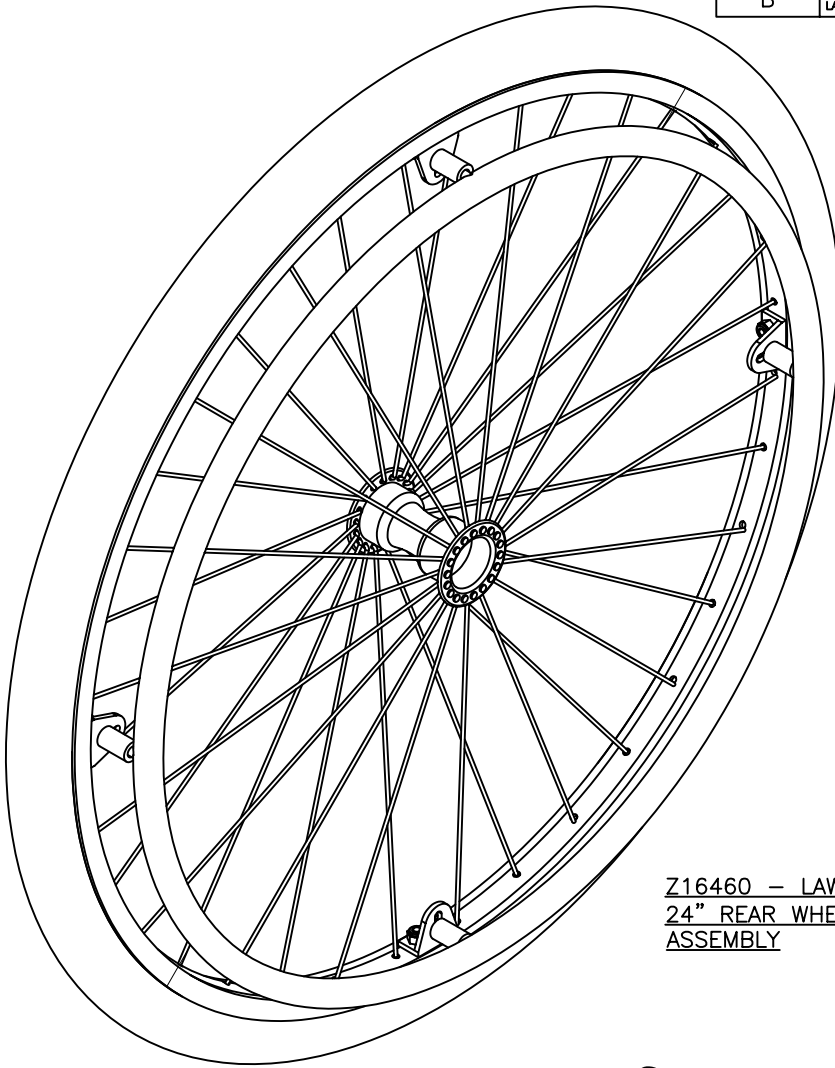


TITLE:
TC001 / LAW001 / LAW002
RANGE PARTS CATALOGUE

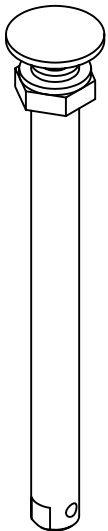
DATE: 24/09/03
DRAWN: PMK
SCALE: NTS

SHEET No: 5 OF 7
REVISION No: A
DWG No: Z16000

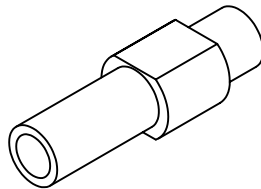
REV No.	DETAILS	DATE	DRAWN
A	REVISED TO INCLUDE LAW001 PARTS TITLE ALTERED	26/05/04	PMK
B	QUICK RELEASE PIN CORRECTED LAW002 PARTS AND BOM ADDED	03/11/05	PMK



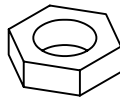
Z16460 – LAW001
24" REAR WHEEL
ASSEMBLY



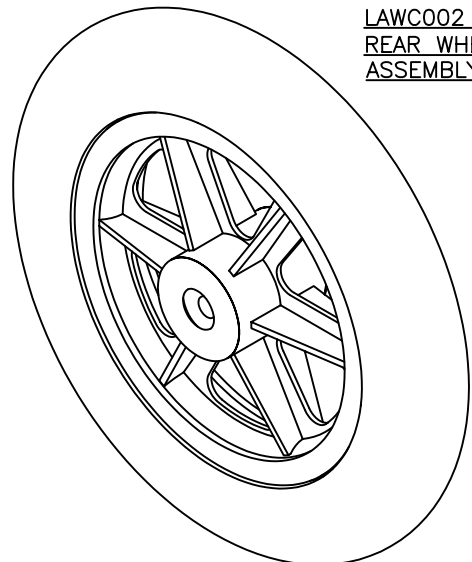
Z16450 – LAW001
QUICK RELEASE PIN



Z16027 – SP
WHEEL AXLE BOSS



Z16029 – AXLE
BOSS NUT



Z10480 –
LAW002 12¹/₂"
REAR WHEEL
ASSEMBLY

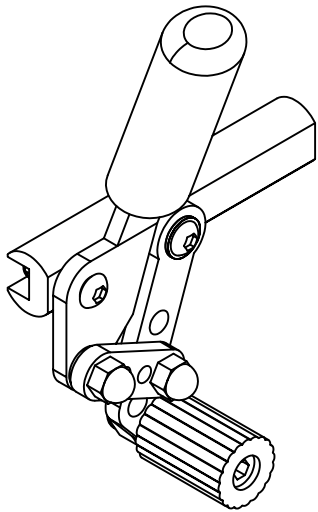


TITLE:
TC001 / LAW001 / LAW002
RANGE PARTS MANUAL

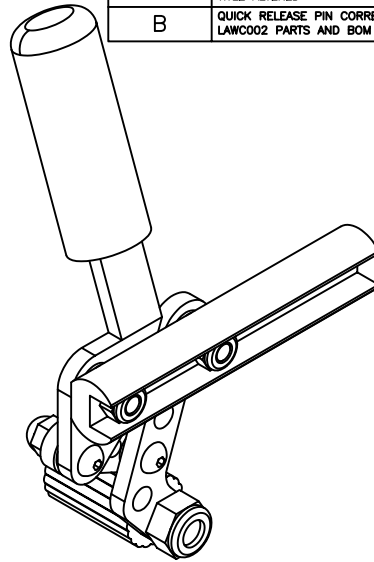
DATE: 24/09/03
DRAWN: PMK
SCALE: NTS

SHEET No: 4 OF 7
REVISION No: B
DWG No: Z16000

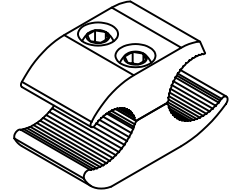
REV No.	DETAILS	DATE	DRAWN
A	REVISED TO INCLUDE LAW001 PARTS TITLE ALTERED	26/05/04	PMK
B	QUICK RELEASE PIN CORRECTED LAW002 PARTS AND BOM ADDED	03/11/05	PMK



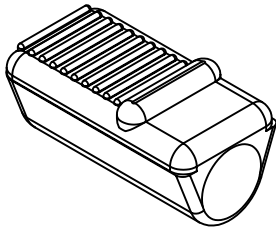
Z16700 - TC001 /
LAW001 RHS BRAKE
ASSEMBLY



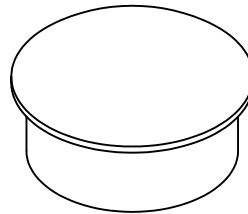
Z16750 - TC001 /
LAW001 LHS BRAKE
ASSEMBLY



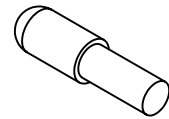
Z10730 - STEEL
WHEELCHAIR BRAKE
CLAMP ASSEMBLY



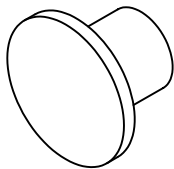
Z15802 - RUBBER
STEPPER PAD



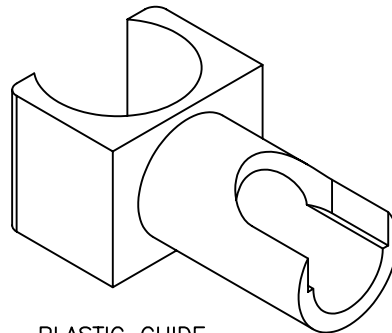
Z15427 - CASTOR
HOUSING CAP



Z16022 - LEG REST
GUIDE PIN



Z16023 - END CAP



Z10025 - PLASTIC GUIDE
FOR SEAT TUBING

NOTE: BRAKES
FOR TC001 AND LAW001, USE BRAKES ABOVE
FOR LAW002, USE EB003 BRAKES (NOT SHOWN)

Wheeltech

TITLE:
TC001 / LAW001 / LAW002
RANGE PARTS CATALOGUE

DATE:
24/09/03

SHEET No:
6 OF 7

DRAWN:
PMK

CHECKED:

REVISION No:
A

SCALE:
NTS

DWG No:
Z16000

