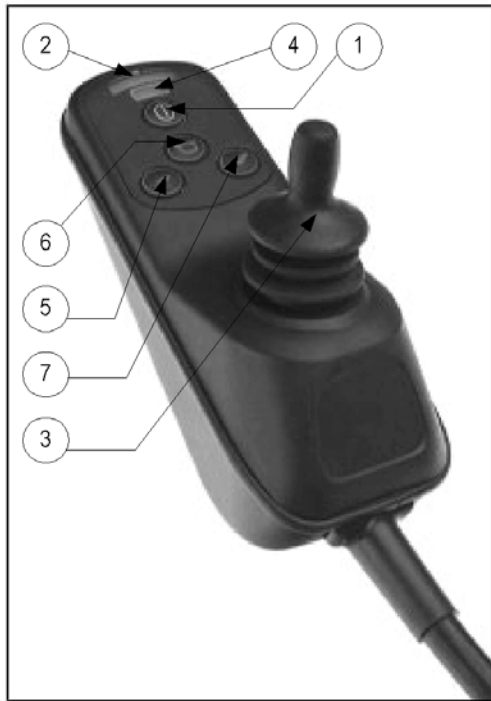


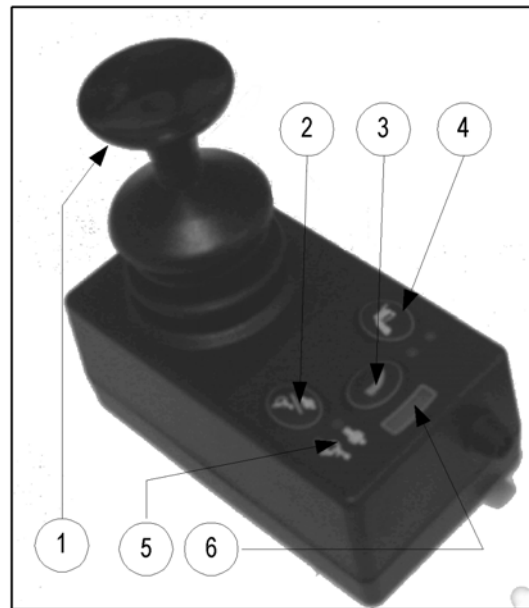
DUAL CONTROL ADAPTION USER MANUAL

This user manual is an appendix to the Enigma Energi Owner's Handbook. This user manual should be read in conjunction with the Enigma Energi Owner's Handbook. This appendix covers the operation and simple maintenance of the dual control adaption for the Enigma Energi. The dual control adaption is suitable for carers and occupants where the carer needs to control the movement of the wheelchair but allow the occupant to control the wheelchair under certain conditions.



Parts Description and Operation (VSI-D above):

1. **On / Off button** Press to switch the powerchair on or off.
2. **Power Gauge** Recharge the battery when only red lights are showing.
3. **Integral Joystick** Deflect the joystick in the direction of required travel. The further the joystick is deflected the greater the speed.
4. **Speed Indicator** Shows the maximum speed of the powerchair.
5. **Decrease max speed** Press to reduce the maximum speed.
6. **Horn** Press to sound the horn.
7. **Increase max speed** Press to increase the maximum speed of the powerchair.



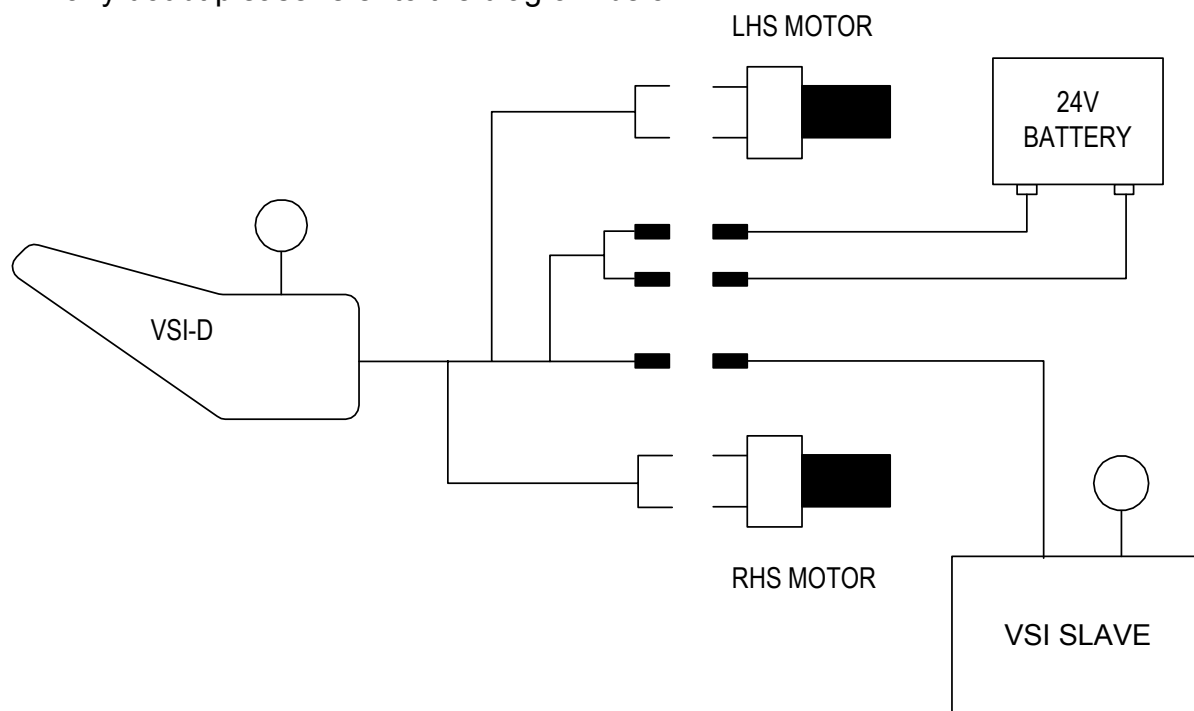
Parts Description and Operation (VSI Slave unit above):

1. **Integral Joystick** Deflect the joystick in the direction of required travel. The further the joystick is deflected the greater the speed.
2. **Controller Switch** Press to switch control from the occupant to attendant and vice versa.
3. **Speed button** Press then move the joystick sideways to determine the max. speed
4. **Actuator button** Not used
5. **Status LED** Shows whether the occupant or attendant is controlling the powerchair
6. **Speed Indicator** Shows the maximum speed of the powerchair

CONFIGURATION

All electrical parts of the dual chair adaption plug in to the VSI-D integral controller. Plug the motors, battery and VSI Slave unit in to the VSI-D integral controller. Note that the motor connections are handed so ensure the right-hand side motor is connected to the loom marked (RIGHT) and left-hand side motor is connected to the loom marked (LEFT)

If in any doubt please refer to the diagram below:



BATTERY CHARGING

The battery charging point is located at the front of the VSI-D integral controller. Please follow the battery charging instructions in the Energi Owner's Manual.